

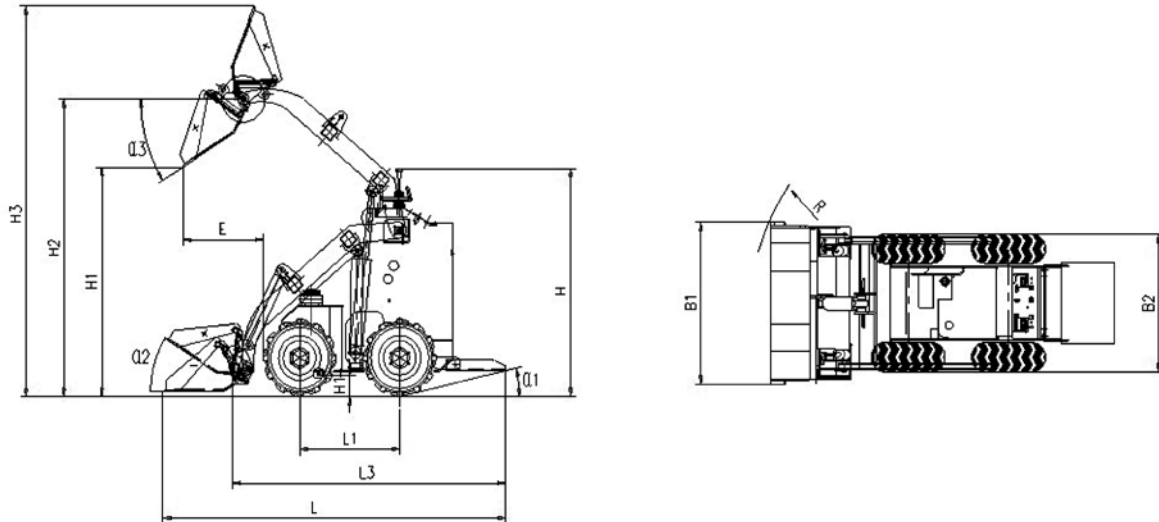


# HY280 MINI SKID STEER LOADER



The width of HY280 mini skid steer loader is only 800mm, allowing more versatility to work in smaller working space , in particular fitting through gates ,doorways ect . it will greatly improve your working efficiency . It's a great machine for landscapers , builders ,electricians , contractors ect.

## HY280 main specification



Item	Metric	Inch	Item	Metric	Inch
Max working height (H3)	2065mm	81.3inch	The height from the ground (H1)	123mm	4.8inch
Max pin height (H2)	1803 mm	71 inch	wheelbase (L1)	690 mm	27.2 inch
Max discharge height (H1)	1386 mm	54.6 inch	No bucket height (L3)	1778 mm	70.0 inch
The highest unload distance (E)	471mm	18.5 inch	Total width (B2)	800 mm	31.5 inch
Max angle of unloading ( $\alpha_3$ )	32°	32°	Bucket width (B1)	820 mm	32.3inch
Retracting angle ( $\alpha_2$ )	33°	33°	Total length (L) (with bucket )	2210 mm	87inch
Angle of departure ( $\alpha_1$ )	18°	18°	Turning radius (R)	1236mm	48.7 inch
Total height (H)	1309mm	51.5inch			

## Main performance parameter :

Model		HY280		
Engine	Rated power (KW)	Briggs&Stratton engine 23HP		
	Standard speed(rpm)	3600		
noise (Db)		≤95		
Hydraulic system	System pressure (Mpa)	17MPA (2465 PSI)		
	Working time (s)	Raise	Tipping	Low
		3.31	0.72	1.95
Performance parameter		Metric	Inch	
	Load weight	165 Kg	363.8lb	
	Bucket capacity	0.12 m <sup>3</sup>	4.26 ft <sup>3</sup>	
	Max lifting power	375 Kg	827 Lb	
	Speed	0-5.5 Km/h	0-3.4 mlie/h	
Operating weight( track )		855kg	1884 Lb	